



XAAR Inkjet Development System

Xaar Inkjet Development System

Designed for production
Proven, de-risked solution
Reference design source code
Reduced time-to-market

Reduced time-to-market and rapid production ready solution

Xaar's Inkjet Development System is a kit with all the inkjet components necessary to build a prototype or evaluation process. Inkjet development can be complex, involving the interaction of many physical, chemical, mechanical, electrical and software parameters.

By providing all the components necessary for a fully-functional system, as well as drive electronics and an ink supply system designed for real world use, Xaar's Inkjet Development System lets developers create an inkjet solution that can be scaled to production without needing to redesign critical components.

Xaar Inkjet Development System

The key benefits of using Xaar's Inkjet Development System are:

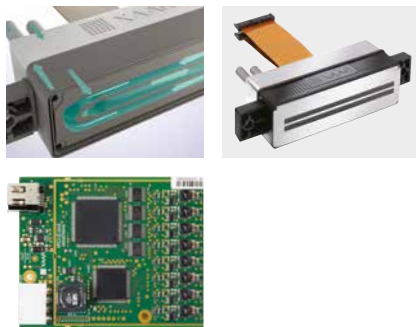
- Drive electronics and ink systems designed for production
- Proven, de-risked solution with full on-site support
- Reference design source code
- Scalability to production which reduces time-to-market.

Included in the kit:

- Xaar 1003 or Xaar 2002 printheads, typically 1 or 4. Different drop sizes are available, depending on the application requirements
- Xaar Head Personality Cards provide optimal and dependable data communication between the printhead and the remainder of the digital inkjet print data path
- Xaar Printhead Manager (XPM) drive electronics to drive the printheads
- Xaar Hydra or Xaar Midas Ink Supply Systems to recirculate the ink to control nozzle pressure, ink flow rate and temperature
- PC application software to configure the data stream and integrate with 'upstream' software and source code.

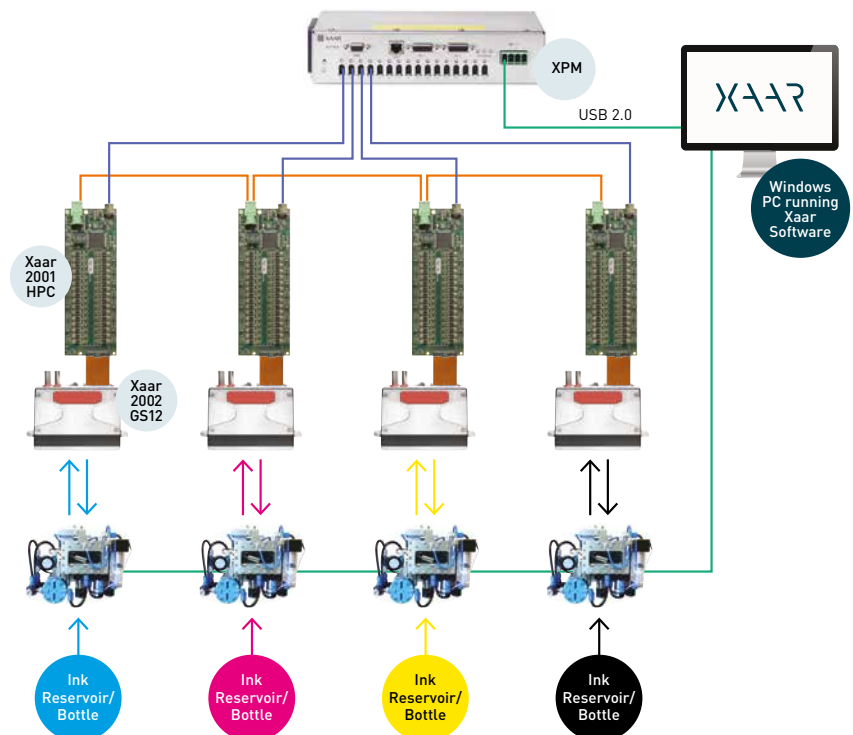
Not included in the kit:

- A mechanical transportation system to move the substrate or printhead in relation to each other
- Rotary or linear encoder signals for data synchronisation
- Product detect signal for print start
- A PC to run the supplied software
- A curing lamp and inks/fluids
- Upstream software (BMP output) including colour correction, image formatting.



Illustrative diagram for a typical development system

This sample Inkjet Development System is using Xaar 2002 GS12 printheads and the XPM drive electronics. Different drop sizes for the Xaar 2002 printheads are available depending on the application requirements.



Xaar Inkjet Development System: Sample Specification

Xaar 2002 printheads	4	Refer to the Xaar 2002 printhead datasheet for further details
Head Personality Cards	4	One per printhead; 4.5m firewire cable supplied
XPM	1	Drives up to 16 printheads, cables supplied
XPM Power Supply	1	One per XPM
Midas Ink Supply System	4	One system required for each ink colour/fluid type

XAAR

Head Office / Europe
+44 1223 423 66
info@xaar.com

Asia
+86 755 23309293
info@xaar.com

USA
+1 972 606 2520
americas@xaar.com

www.xaar.com