

Xaar 502 GS15S



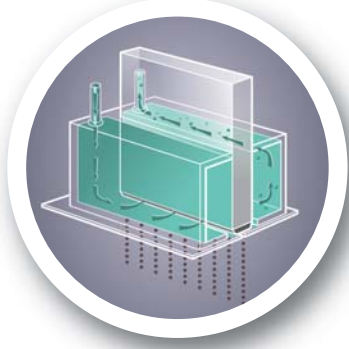
Gain competitive advantage with the Xaar 502 GS15S

Reach higher levels of performance in Wide-Format Graphics (WFG) with the Xaar 502 GS15S printhead. Whether printing large exterior banners or indoor point-of-sale material, this premium printhead delivers **exceptional print quality, excellent reliability** and high production up-time.

The unique **PrecisionPlus** architecture of the Xaar 502 printhead family builds on Xaar's incredibly successful Hybrid Side Shooter architecture, proven in the market-leading Xaar 1003 printhead. This new architecture optimises the actuator performance giving more uniform drop formation and stability across the print swathe and therefore exceptional print quality for stunning graphics.

Print service providers will appreciate the even, flat tints and sharp text achievable with the Xaar 502 GS15S. For OEMs the remarkable uniform print swathe allows printheads to be mounted together easily. This, along with a combination of other innovative features, ensures **trouble-free integration**, fast time-to-market and short servicing times.

The Xaar 502 GS15S has been designed by Xaar to ensure its customers remain at the leading edge of print performance. Xaar is a world-leader in the development and manufacture of industrial inkjet technologies with over 25 years' experience. The company is headquartered in the UK and has offices in the USA, China and India. Today, Xaar's state-of-the-art manufacturing facilities in the UK are among the most innovative in the world.



Xaar 502 GS15S



Exceptional print quality

The Xaar 502 GS15S and the revolutionary PrecisionPlus architecture deliver smooth tints, graduations and excellent edge definition for printing text and graphics.

- The enhanced actuator gives exceptionally uniform drop formation delivering even colour density across the swathe width. The enhancement also improves stability against substrate contact
- Together with PrecisionPlus architecture, the 500 individually lasered nozzles deliver unprecedented drop placement accuracy resulting in excellent print quality
- The Xaar 502 GS15S is capable of printing in binary mode with a smallest drop size of 15 pL or with up to 6 grey levels to give up to 75 pL drops.

Industrial reliability

The Xaar 502 GS15S printhead is designed to deliver industrial reliability and robustness resulting in increased production up-time even in harsh environments.

- Internal temperature management and an industrial design allow the printhead to work with a wide range of fluid viscosities at varying temperatures. This ensures high reliability all year round
- A robust metal body and recessed nozzle plate protect against costly damage from media crashes or other mechanical impacts.

Flexible and easy integration

The Xaar 502 GS15S offers a flexible range of ink supply options and easy printhead integration to ensure maximum versatility, fast manufacturing and minimum servicing time.

- The internal architecture of the printhead enables quick and easy priming, automatic nozzle priming and self-recovery, all resulting in higher productivity and less ink waste
- The flexible printhead architecture enables a choice of ink supply options to allow OEMs to choose the best solution to fit their application
- As the Xaar 502 GS15S is fully compatible with the vacuum controlled ink supplies, most often used in wide-format scanning printers, integration with existing ink systems is easy
- The Xaar 502 GS15S has a simple and accurate mounting system enabling multiple printheads to be mounted together with minimal adjustments for fast installation
- Industry standard ink fittings, an integrated filter module and simple ink priming enable easy, clean and secure connection to ink systems.



Approved inks

Xaar actively partners with a wide range of ink manufacturers to develop high-quality ink solutions for its printheads. The Xaar 502 GS15S is designed to be compatible with a range of solvent inks.

Physical attributes	Xaar 502 GS15 S180	Xaar 502 GS15 S360
Active nozzles	500	500
Print swathe width	70.5 mm	70.5 mm
Number of rows	1	1
Nozzle pitch	141.1 µm	141.1 µm
Nozzle density (nozzles per inch)	180 npi	180 npi
Nozzle stagger	47 µm	23.5 µm
Nozzle guard	WFG	WFG
Printhead weight (dry)	208 g	208 g
Ink types	Solvent	Solvent
Drop volume*	15-70 pL	15-40 pL
Drop velocity*	5 m/s	5 m/s
TF Technology mode	None, Pulsed	None, Pulsed
Number of grey levels*	6	4
Typical firing frequency @ Max DPD*	7 kHz	9.5 kHz
Dimensions (WxDxH)	104 x 17 x 113 mm	104 x 17 x 113 mm

* Dependant on ink used and system integration



Head Office / Europe + 44 1223 423 663 info@xaar.com

Hong Kong + 852 3690 8555 info@xaar.com

India + 91 124 668 8055 india@xaar.com

USA + 1 972 606 2520 americas@xaar.com

www.xaar.com